



LED Upgrade kit for Street & Area luminaires

RFL530-SE

VFL520

VFL530

VFL530-SE

we-ef

When technology is out of date and there is a desire to give a product a second life

Think 'LED Upgrade Kit'

Extend the lifetime of a luminaire by simply replacing the LED module



Pioneering Street and Area lighting since 2008

- Continue to explore sustainability lighting solutions to push the lifetime of our products (to align with new lighting policies/regulations)
- Offer upgrade solution that enables users to adapt to existing standards:
 - ✓ **Biodiversity:** Adaptation of the light colour to align with new lighting policies/regulations without efficiency losses
 - ✓ **Future proof:** Upgrade driver to newest generation and enables connectivity/control possibilities with little additional cost*



LED Technology

Upgrading older luminaire with the latest technology

Previous set-up

2014



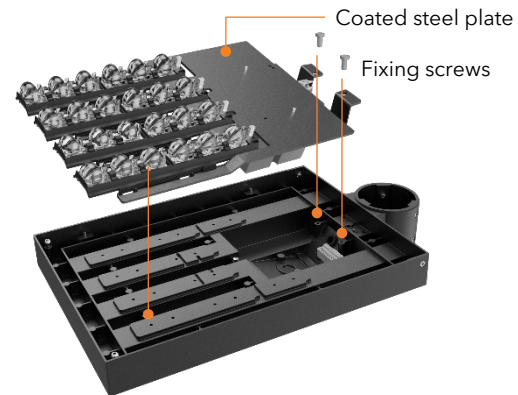
Each component is assembled separately including driver



Polycarbonate holder keeping all components assembled (PCB + lens + screws)

LED Retrofit Kit

2023



- ▶ **Replace to upgrade** - environmentally friendly solution without replacing the entire luminaire - just the LED module
- ▶ **Energy efficiency LEDs** - 40%* increase in light output with the same number of LEDs
- ▶ **Colour temperature** - possibility to change the colour temperature from 4000 K to warmer CT without further changes to the existing system
- ▶ **Easy/quick replacement** - factory-installed component improves installation time
- ▶ **Connectivity/controls** - Eco Step Dim® can be adopted, refer to previous luminaire settings**

we-ef

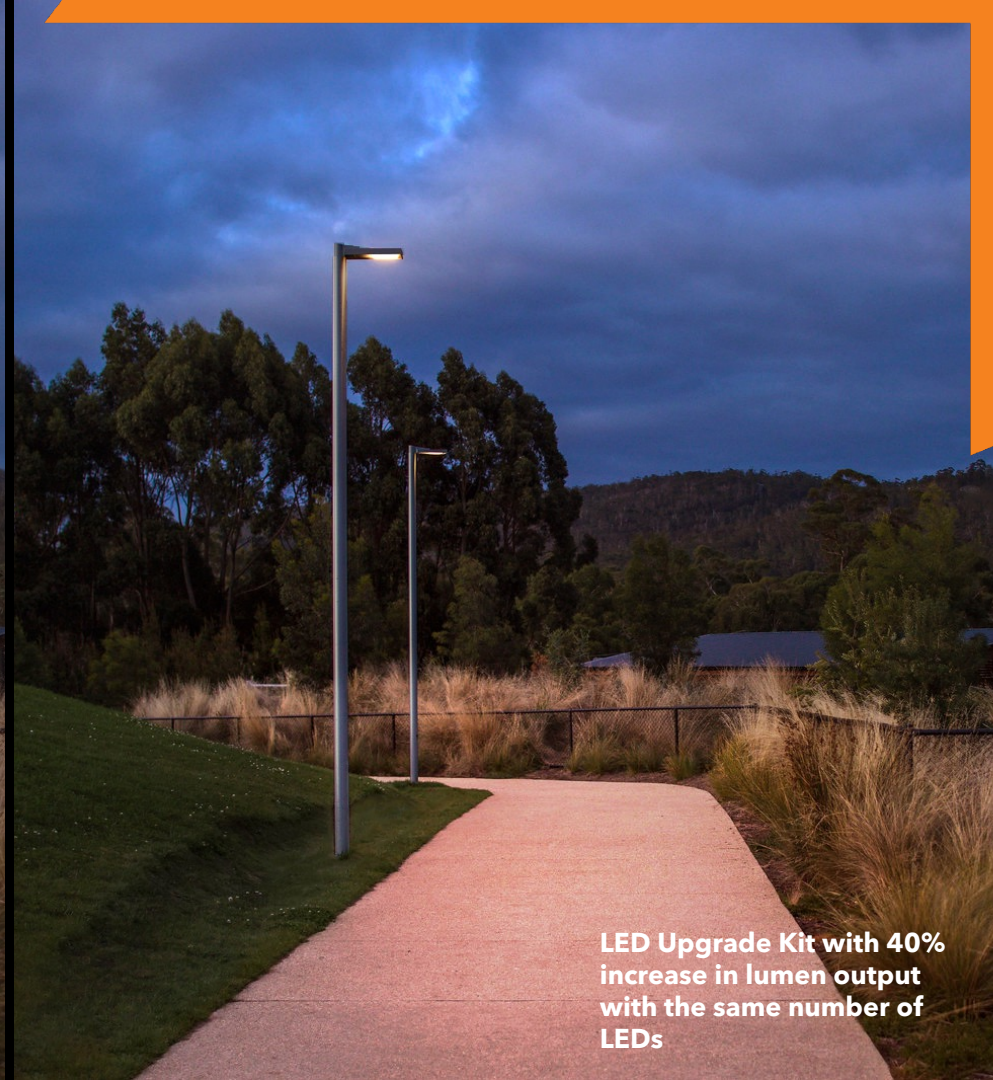
* In case of 4K

**An existing 5-wire cable is required for connectivity

Result



Old LED technology



LED Upgrade Kit with 40% increase in lumen output with the same number of LEDs

LED Upgrade Kit

Compatible with the following luminaires

- IP and IK remain unchanged
- Replace an energy-hungry light sources with energy-efficient LEDs
- Fast conversion from 4000 K to warmer colour temperature LEDs
- New driver enables energy saving/cost-saving

- **Compatible with** [S60] [S65] [S70] [R65] light distributions. Cannot be used with backlight shield
- **No rotation** of lenses
- **Not available for hybrid (modular) installations**

we-ef

